

LIVE

LM 80

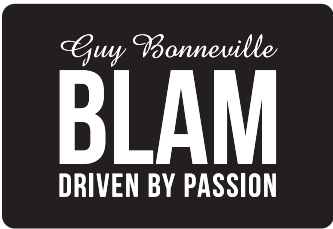
Speaker

- Mid-range driver 3" (80 mm)
- Max. power 100 W / Nom. power 25 W
- Frequency response 100 Hz – 25 kHz
- Impedance 3 Ω

Die cast aluminium basket - Epoxy resin and glass fiber cone - Butyl surround - Long life "Conex" damper - 20 mm (0.8") voice coil with TIL former - 55 mm x 10 mm (2.1" x 0.4") ferrite magnet

Optimized for sealed enclosure volume from 2 L to 30 L

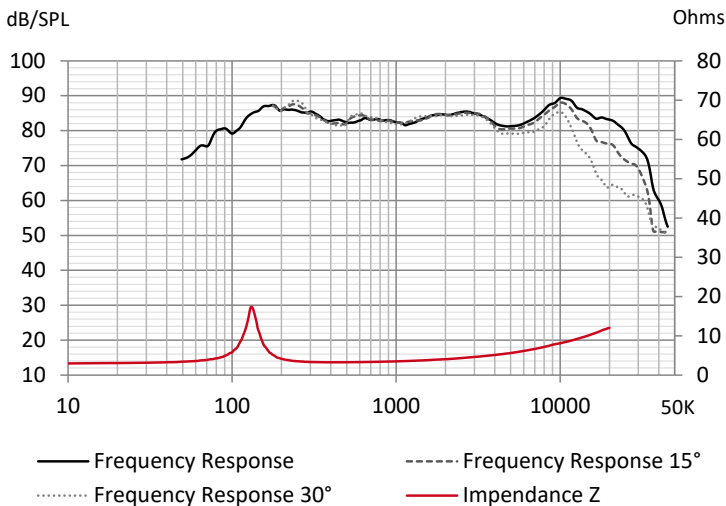
Minimal required cut off frequency : 250 Hz 12 dB/octave



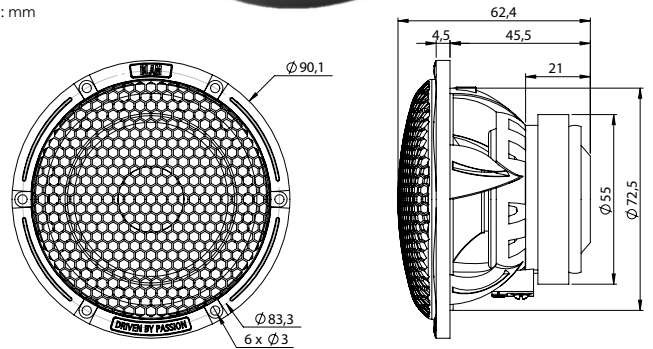
TECHNICAL SPECIFICATIONS

Component	Midrange	
Max power	100 W	
Nominal power	25 W	
Impedance	3 Ω	
Freq. Response	100 Hz - 25 KHz	
Sensitivity (2,83V/1m)	87.6 dB	
Magnet	Ferrite	
Magnet size Ø x h	55 x 10 mm	2.165" x 0.394 "
Total driver displacement	0.0619 l	0.002 cf
Weight of one component	0.323 kg	0.712 lb
Voice coil Ø	20 mm	0.803"
Voice coil height	5.9 mm	0.232"
Cone	Glassfiber	

FREQUENCY RESPONSE / IMPE-



Unit : mm



THIELE-SMALL PARAMETERS

effective Ø (d)	61 mm
Sd	29.22 cm ²
Xmax	1 mm
Re	3 Ω
Fs	135.18 Hz
Le	63.70 µH @ 1 kHz
L2	107.65 µH @10 kHz
Vas	0.71 L
Mms	2.33 g
Cms	0.000593 m/N
BL	2.17 Tm
Qts	1.04
Qes	1.26
Qms	5.90
Sensitivity (dB/W/m)	83.3 dB

RECOMMENDED ENCLOSURES

Internal volume Vb	F-3dB	Boost
2 L	116 Hz	2.5 dB at 194 Hz
30 L	106 Hz	1.5 dB at 185 Hz