

GROUND ZERO[®]
GERMAN ENGINEERING

PLUTONIUM SERIES
Tweeter

GZPT 28SQ

Owner's Manual

English

GROUND ZERO GZPT 28SQ

Introduction

Thank you for choosing a GROUND ZERO product and welcome to your new PLUTONIUM series loudspeaker!

This is the owner's manual providing instructions on the operation and installation of this high-end tweeter. Please, read it carefully. If you have any further questions, please contact your local GROUND ZERO dealer or our regional distribution partner.

This tweeter is one of the most important parts of your car audio system. However, it will only be able to deliver its full performance when each part of the whole system is tuned carefully matching each other. Therefore, we recommend consulting a car audio specialist to compile the desired sound system, as well as for installation and tuning.

We hope you will enjoy the sound quality of an enthusiastic development by the GROUND ZERO engineering team!

PLUTONIUM Series – The High-End Experience

Products belonging to the GROUND ZERO PLUTONIUM series stand for high-end sound quality or extreme power handling capability.

To achieve one of these targets, exceptional materials and technologies are applied during the development.

The technical, electrical and mechanical skills of the resulting products convince not only during worldwide sound quality competitions but also satisfy the demands of high-end enthusiasts with outstanding audio reproduction ability.

The new GZPT 28SQ tweeter marks the start of a new generation of loudspeakers, delivering an outstanding sound performance.

The GZPA SQ amplifiers have been developed by experienced sound quality engineers and tuned by music loving enthusiasts. They are being built with highest care using some of the best quality parts available and run through numerous tests prior to handing over to GROUND ZERO partners and retail shops.

Terms of Warranty

The limited warranty for this product is covered by GROUND ZERO's regional distribution partners and their terms and conditions. For further information contact your local retailer or regional distributor.

General installation note

- Never drill a hole to the vehicle's gas tank or brake lines, to wirings or any other important vehicle parts!
- Never pass wires over sharp edges or vehicle parts due avoid any kind of damage
- Keep the wiring away from the antenna and electronic devices contributing to radio reception
- Lay the power supply wiring always separated from speaker wiring to avoid disturbance

GROUND ZERO[®]

GERMAN ENGINEERING

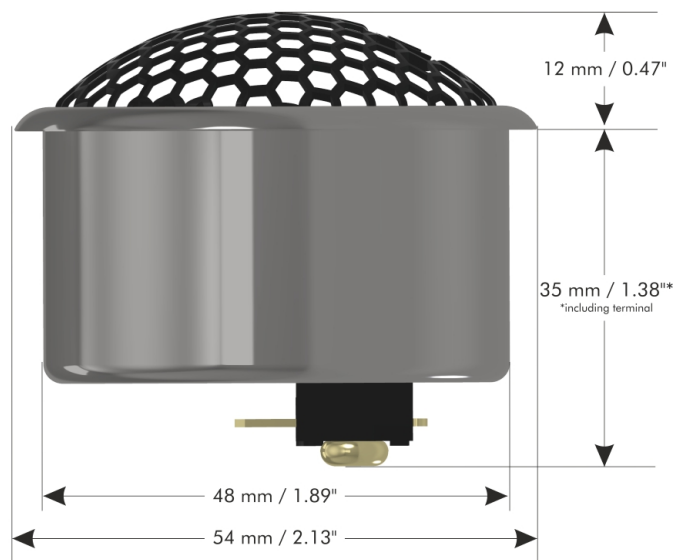
PLUTONIUM SERIES

Tweeter

GZPT 28SQ

Features

- High-end sound quality tweeter
- 28 mm / 1.1" silk dome
- 2-layer dome coating
- Entire stainless-steel housing
- Gold-plated screw terminal
- Hexagon style protection grill



GROUND ZERO GZPT 28SQ

Specifications

Model	GZPT 28SQ
Housing	Stainless stell
Diameter (of the tweeter´s dome)	28 mm / 1.1"
Impedance	4 ohms
Resonance frequency	770 Hz
Frequency response	2 – 30 kHz
Power handling	100 Watts RMS / 150 Watts max (2500 Hz HPF @ 12dB/oct)
Efficiency	90 dB



Listening to music can be emotional, impressive, relaxing or enjoyable. At that, it doesn't really matter what kind of music is the personal favorite, whether it's Instrumental, Jazz, Electro, Latin, Classic, Rock or any other music direction. However, audio reproduction quality at each desired volume is elementary. Some music styles require higher levels while others prefer the soft tones. GROUND ZERO considers all the different wishes of customers during the development of new products. Along with this, the target is to create the most realistic sound, to transfer the soul of the music and the intention of the performer. Summarized to one phrase: RESPECT THE MUSIC!

Ground Zero GmbH

Erlenweg 25, 85658 Egmating, Germany

Tel. +49 (0)8095/873-830

www.ground-zero-audio.com

