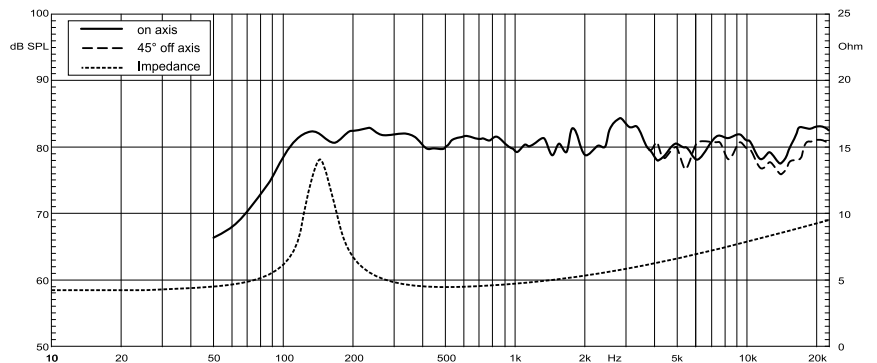


- FEA motor optimized
- 20 mm copper/aluminum voice coil
- Aluminum former
- Neodymium N42 grade magnet
- Axial ventilation
- CNC Avional faceplate
- Cellulose fiber exponential cone
- ABS basket with self damping system
- Balanced symmetrical construction
- Conex® progressive spider
- Computer optimized design
- Motor metal parts CNC machined



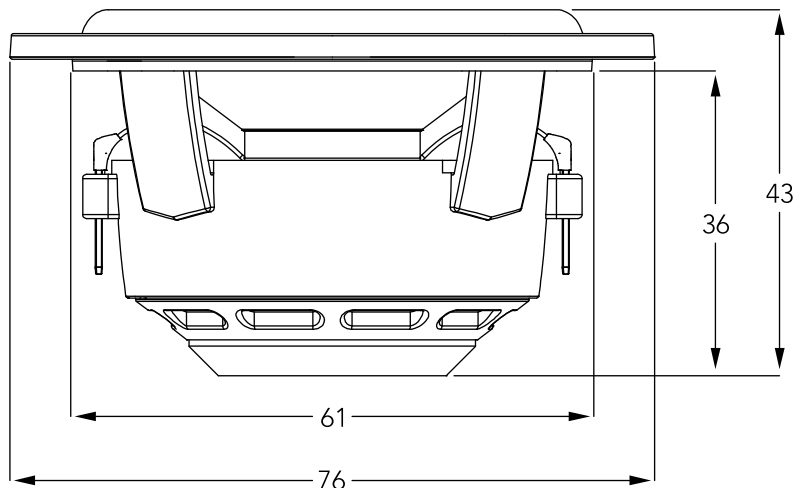
ABS basket reinforced with fiberglass. The basket have been engineered in order to obtain the maximum in terms of torsional rigidity (bending), but at the same time offer the minimum resistance to the passage of air. Pressed paper cone with waterproof treatment. It is widely recognized that cones made of paper are the best marriage of lightness, stiffness and the ability of the cone to dampen any unwanted vibration (read: distortion). High damping single wave Perbunan rubber. The Perbunan rubber edge is much more stable when the temperature changes than the classic rubber. The 20 mm voice coil uses an aluminum support and a winding with a double layer technology of copper wire with an aluminum core. Neodymium N42 magnet, a type of magnet with significantly higher performance than the classic "standard" ones.

SPECIFICATIONS			
Technical Characteristics	Symbol	Value	Units
GENERAL DATA			
Overall Dimension	D x h	61 x 43	mm
Nominal Power Handling (AES)*	P	60	W
Transient Power *	Pp	120	W
Sensivity 1W/1m	SPL	83	dB SPL
Frequency Response		100 – 22000	Hz
Cone Material	Cellulose fibres and epoxy resin matrix		
*Nominal and Transiet power @ High Pass 150Hz – 12db/Oct			



ELECTRICAL DATA			
Nominal Impedance	Z	4	Ω
DC Resistance	Ω	3.7	Ω
Voice coil Inductance	Lbm	0.149	μH
VOICE COIL AND MAGNET PARAMETERS			
Voice Coil Diameter	Dia	20	mm
Voice coil Height	h	6.0	mm
Magnetic Gap Height	HE	6.0	mm
Max Linear excursion	Xmax	± 3.0	mm
Voice Coil Former	Aluminum		
Number of layers	n	2	
Magnet System	Neodymium N42 grade		
Efficiency	η°	0.109	%
BL Product	BxL	2.08	Na
Magnet dimension	Ø x Ø x h	19.5X6.5	mm

T&S PARAMETERS			
Suspension Compliance	Cms	0.742	N/m
Mechanical Q Factor	Qms	3.428	
Electrical Q Factor	Qes	1.286	
Total Q Factor	Qts	0.935	
Moving Mass	mms	1.65	g
Eq. Comp. Air Load	VAS	0.492	l
Resonance Frequency	Fs	143.5	Hz
Effective Piston Area	SD	21.65	cm ²



All measurements in millimeters