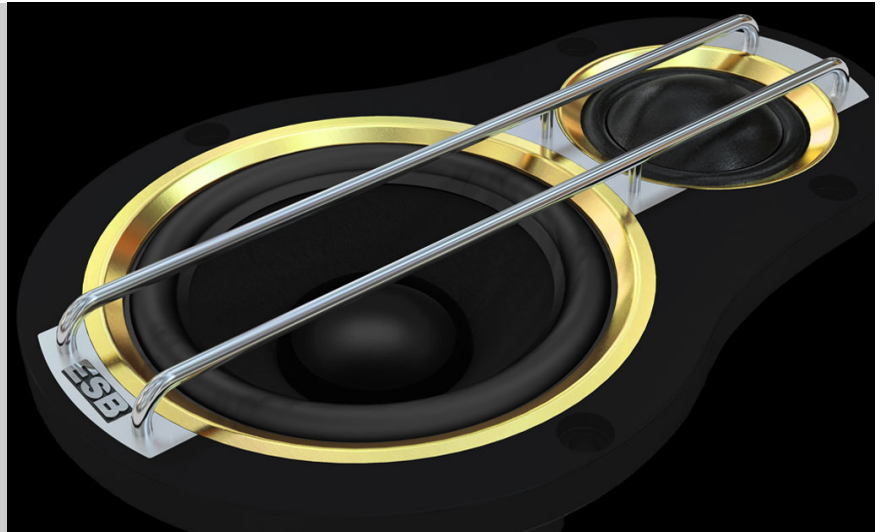


- 28 mm aluminum voice coil (tweeter)
- 25 mm aluminum voice coil (midrange)
- High-grade neodymium magnet
- Torcon® soft dome (tweeter)
- Non-pressed cellulose cone (midrange)
- CNC avional faceplate
- Ferrofluid cooling and damping
- Acoustic resistance Qts control
- Computer optimized design
- Motor metal parts CNC machined
- Under-dome dB Cloth® damping material
- Aluminium midrange dust cup



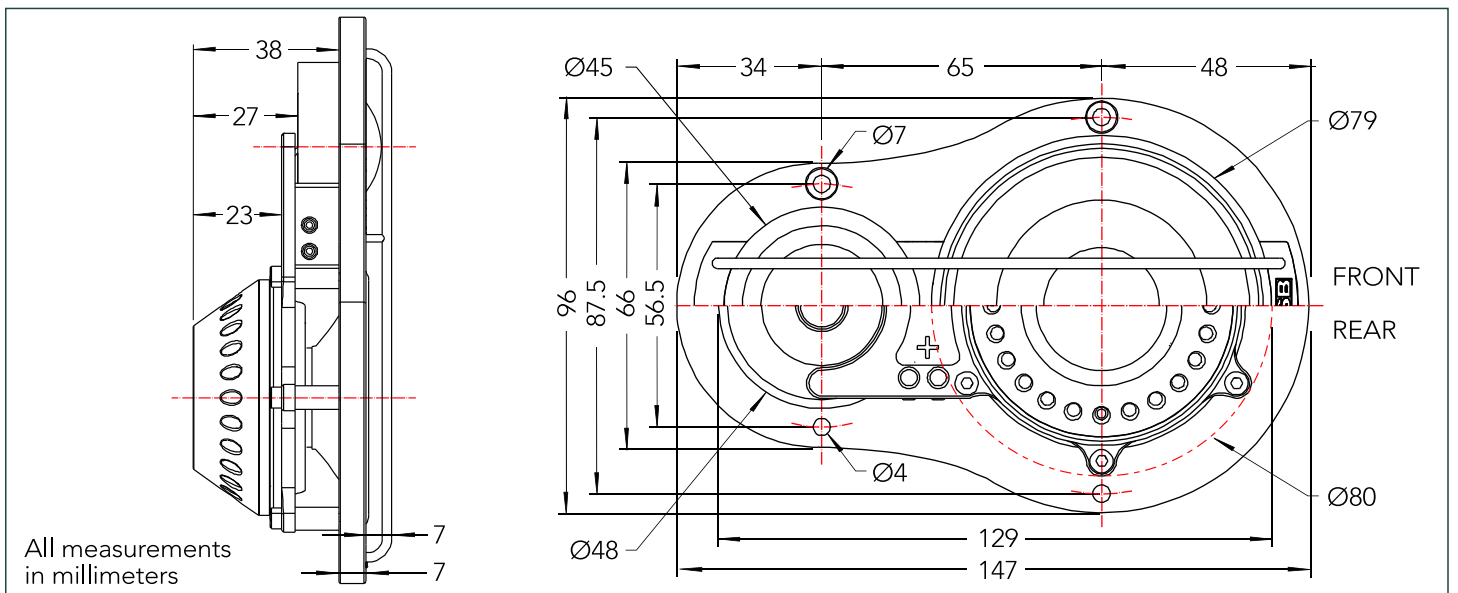
This special and exclusive component driver is a concept born way back in 70's, its aim is to concentrate midrange and tweeter emissions in a virtual single point. This minimizes phase delays and irregularities at the crossover point. All the parts that make up this component have been made with the CNC process. This is very expensive and time consuming, but ensures perfect geometry and impeccable aesthetics. A mix of precious materials such as brass, stainless steel and Avional aluminum are used together for a unique product.

Each component uses a very large, vented neodymium motor magnet, optimized with computer simulations (FEA) to obtain a greater efficiency and improve linearity along all voice coil's excursion. The neodymium magnet is a high-grade type to eliminate magnetic loss at elevated temperature and concentrate more force in less space.

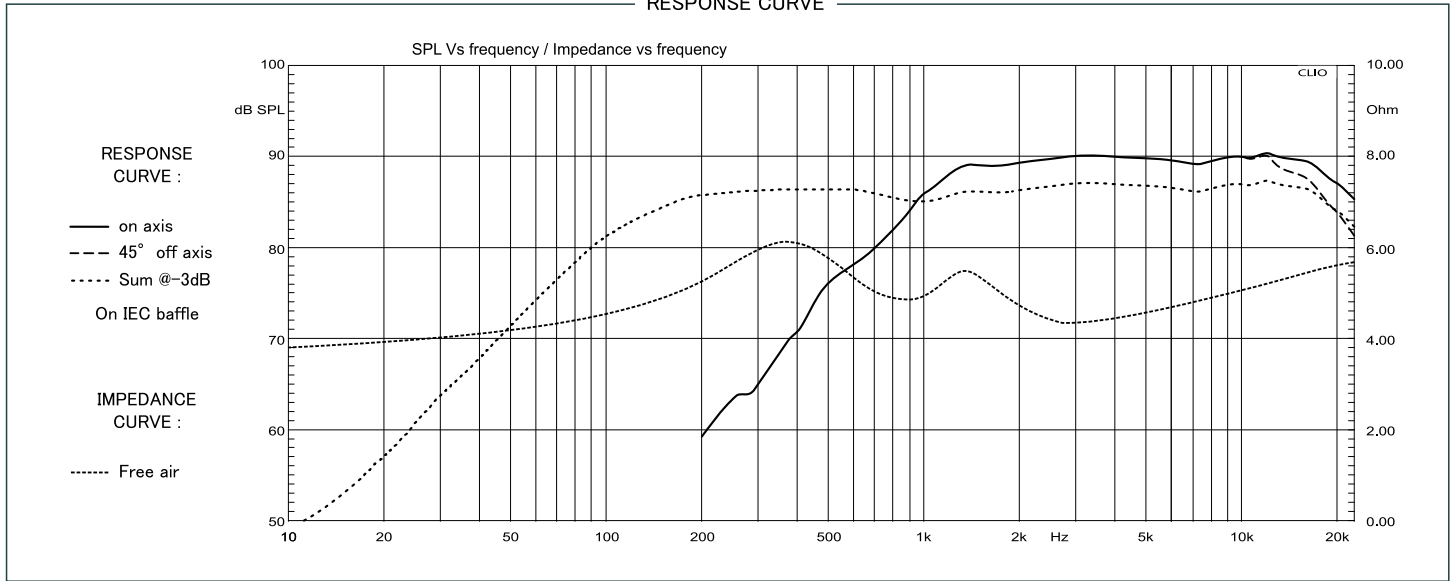
The tweeter uses a Torcon® soft dome, an exclusive Polyphenylene Sulfide (PPS) with a high performance fiber that offers superb heat resistance, low weight and excellent self-damping, to get a free resonance frequency response outside the audible frequency range.

The midrange's non-pressed cellulose pulp exponential cone, with a Vinylester resin coating, ensures a perfect balance between rigidity, weight, and self-damping. The cellulose pulp guarantees an extremely natural and linear reproduction, with an excellent extension at high frequencies.

Great attention was given to the ventilation of the two components, through a single axial ventilation on the tweeter and multiple on the midrange. To improve control and damping an acoustic resistance has been adopted on both components. Combined, the two components are able to reproduce with perfect linearity all the spectrum from 95 Hz to 25 KHz.

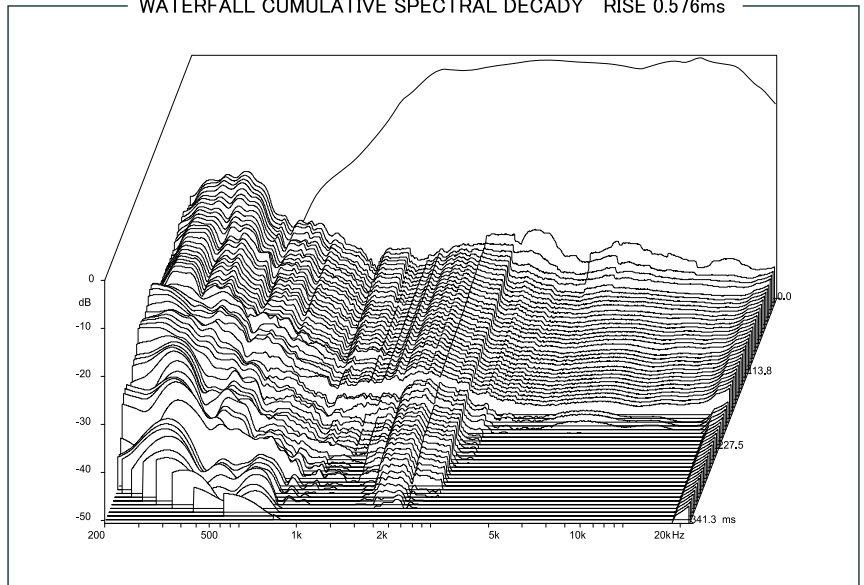


### RESPONSE CURVE



SPECIFICATIONS			
Technical Characteristics	Symbol	Value	Units
<b>GENERAL DATA</b>			
Overall Dimension	W x h	96 x 147	mm
Nominal Power Handling (AES)*	P	110	W
Transient Power *	Pp	220	W
Sensitivity 1W/1m	SPL	91	dB SPL
Frequency Response		940 – 25.000	Hz
Net Weight		538 (uma)	g
Dome Material		Torcon®	
*Nominal and Transient power @ High Pass 2.6KHz-12db/Oct			
<b>ELECTRICAL DATA</b>			
Nominal Impedance	Z	4	Ω
DC Resistance	Re	3.4	Ω
Voice coil Inductance	Lbm	0.0517	μH
<b>VOICE COIL AND MAGNET PARAMETERS</b>			
Voice Coil Diameter	Dia	28	mm
Voice coil Height	h	2.5	mm
Number of layers	n	2	
Voice Coil Former		Aluminum	
Magnet System		Neodymium Vented	
Magnetic Gap Height	HE	3	mm
Max Linear excursion	Xmax	±0.5	mm
Flux density	B	1.3	T
BL Product	BxL	4.35	Na
Magnet dimension	∅ x h	27 x 6	mm
Magnet weight	m	25.7	g
<b>T&amp;S PARAMETERS</b>			
Mechanical Q Factor	Qms	0.744	
Electrical Q Factor	Qes	0.928	
Total Q Factor	Qts	0.413	
Suspension Compliance	Cms	0.38	N/m
Mechanical Resistance	Rms	1.54	Ω
Moving Mass	mms	0.72	g
Eq. Comp. Air Load	VAS	0.012	l
Resonance Frequency	Fs	540	Hz
Effective Piston Area	SD	8.49	cm <sup>2</sup>
<b>CROSSOVER VALUE</b>			
Fc	Crossover frequency	Hz	
L	Inductor	mH	
C	Capacitor	μF	
R	Resistance	Ω	
P	Reduction from Nominal Power	%	
S	Crossover Slope	dB/Oct	

### WATERFALL CUMULATIVE SPECTRAL DECADY RISE 0.576ms



### SUGGESTED APPLICATION

INPUT

Fc	2000	2200	2400	2600	2800	3000	3300	3600
S	6	6	6	6	6	6	6	6
C	17.4	16.7	15.7	14.6	13.7	12.8	11.5	10.5
P	-45	-35	-30	-20	-15	-10	-5	0

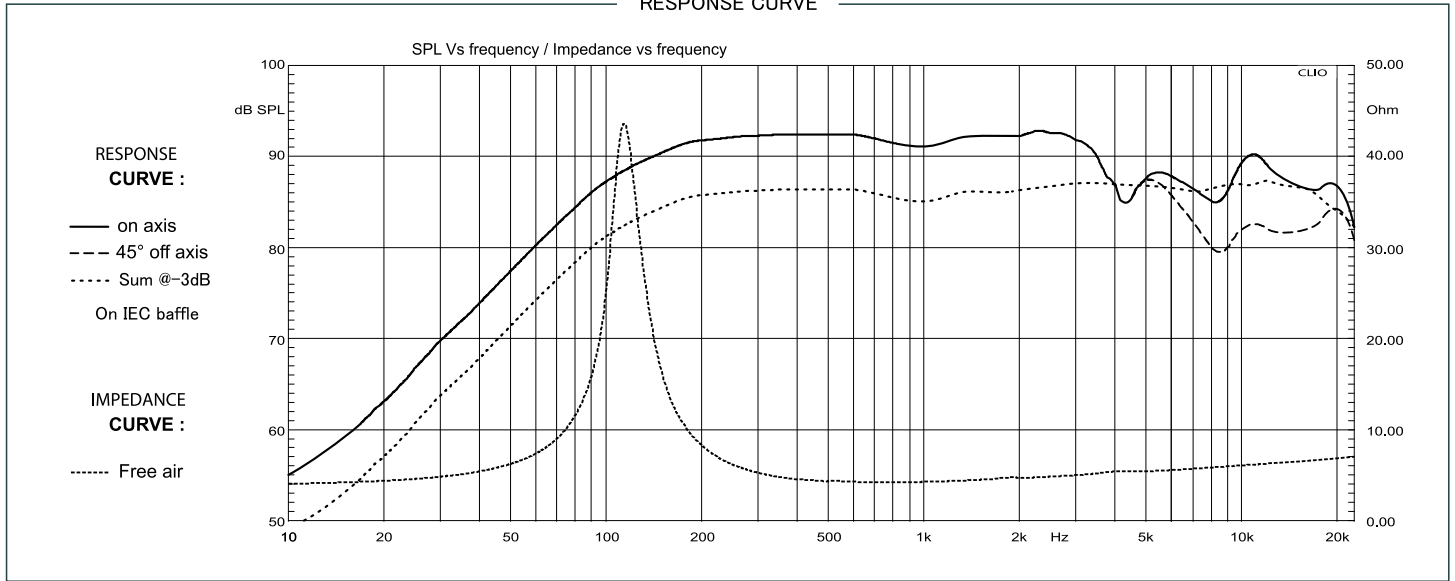
  

Att.	-2	-4	-6	-9	-12
R	1	3.3	4.7	9	12

INPUT

Fc	1800	2000	2200	2400	2600	2800	3000	3300
S	12	12	12	12	12	12	12	12
L	0.58	0.51	0.44	0.39	0.36	0.33	0.31	0.28
C	13.3	12.3	11.8	11	10.4	9.7	9	8.2
P	-40	-30	-20	-15	0	0	0	0

### RESPONSE CURVE



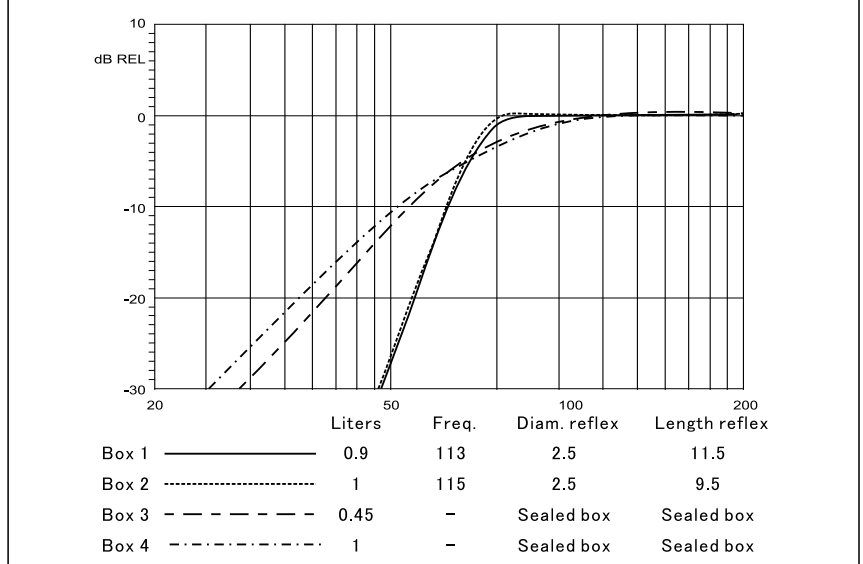
### SPECIFICATIONS

Technical Characteristics	Symbol	Value	Units
<b>GENERAL DATA</b>			
Overall Dimension	W x h	96 x 147	mm
Nominal Power Handling (AES)*	P	120	W
Transient Power *	Pp	240	W
Sensivity 1W/1m	SPL	91	dB SPL
Frequency Response		95 - 16.000	Hz
Net Weight		538 (uma)	g
Cone Material		Not pressed pulp and vinylester resin	
*Nominal and Transient power @ High Pass 200Hz - 12db/Oct			
<b>ELECTRICAL DATA</b>			
Nominal Impedance	Z	4	Ω
DC Resistance	Ω	3.3	Ω
Voice coil Inductance	Lbm	0.34	μH
<b>VOICE COIL AND MAGNET PARAMETERS</b>			
Voice Coil Diameter	Dia	25.5	mm
Voice coil Height	h	5.7	mm
Magnetic Gap Height	HE	4.0	mm
Max Linear excursion	Xmax	± 5.7	mm
Voice Coil Former	Aluminum		
Number of layers	n	2	
Magnet System	Neodymium YN52H grade		
Efficiency	η°	0.26	%
BL Product	BxL	3.83	Na
Magnet dimension	∅ x ∅ x h	45x29x5	mm
Magnet weight	m	37	g
<b>T&amp;S PARAMETERS</b>			
Suspension Compliance	Cms	0.8	N/m
Mechanical Q Factor	Qms	4.76	
Electrical Q Factor	Qes	0.42	
Total Q Factor	Qts	0.39	
Mechanical Resistance	Rms	0.36	Ω
Moving Mass	mms	2.45	g
Eq. Comp. Air Load	VAS	0.95	l
Resonance Frequency	Fs	113	Hz
Effective Piston Area	SD	29	cm <sup>2</sup>

### CROSSOVER VALUE

Fc	Crossover frequency	Hz
L	Inductor	mH
C	Capacitor	μF
R	Resistance	Ω
S	Crossover Slope	dB/Oct

### SEALED AND PORTED SUGGESTED VOLUME



### SUGGESTED APPLICATION

