

Signature

Guy Bonneville

BLAM

DRIVEN BY PASSION

WS 8.100

High power mid woofer

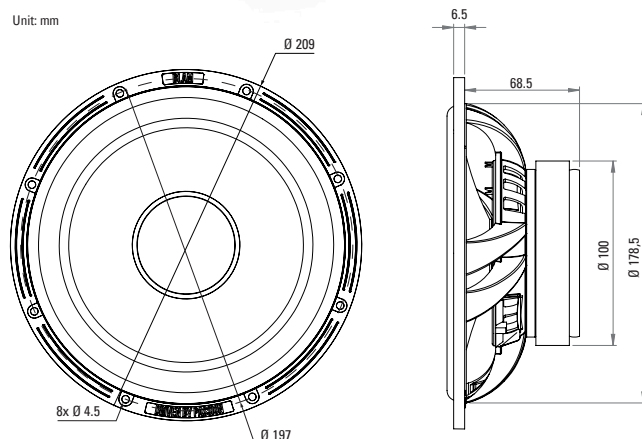
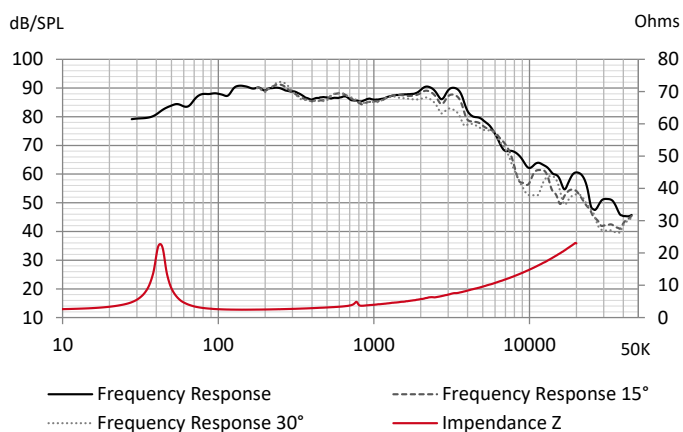
- Woofer 8" (200 mm)
- Max power 300 W / Nom. power 150 W
- Frequency response 50 Hz- 3.8 KHz
- Sensitivity 93.4 dB
- Impedance 2 Ohms

Die cast aluminium basket- Ultra rigid carbon fiber cone- NBR surround- Long life « Conex » damper- 38 mm voice coil on fiber glass former- 100 mm x 20 mm oversized magnetic motor - Gold-plated terminal.

TECHNICAL SPECIFICATIONS

Component	Woofer	
Max power	300 W	
Nominal power	150 W	
Impedance	2 Ω	
Freq. Response	50 Hz - 3,8 KHz	
Sensitivity (2,83V/1m)	93,4 dB	
Magnet	Ferrite	
Magnet size Ø x h	100 x 20 mm	3,94" x 0,79"
Total driver displacement	0,3 l	0,011 cf
Weight of one component	1,76 kg	3,880 lb
Voice coil Ø	38 mm	1,496"
Voice coil height	15 mm	0,669"
Cone	Carbon fiber	

FREQUENCY RESPONSE / IMPEDANCE



THIELE-SMALL PARAMETERS

effective Ø (d)	16,5 mm
Sd	213,82 cm ²
Xmax	6 mm
Re	2,27 Ω
Fs	42,26 Hz
Le	149,49 µH @ 1 kHz
L2	366,81 µH @10 kHz
Vas	37,72 L
Mms	24,15 g
Cms	0,587338 m/N
BL	4,50 Tm
Qts	0,65
Qes	0,72
Qms	6,85
Sensitivity (dB/W/m)	87,9 dB