



Installation Guide

Mercedes Benz

IR-MBZ42
IR-MBZ42-CTR
IR-MBZ4INT
IR-MBZ4INT-CTR
MBZSUB82-1L
MBZSUB82-2L

Dear Customer,

Thank you for choosing Morel for your car audio speaker solution.

Morel prides itself on engineering and producing the best high-fidelity speaker systems.

We hope you enjoy your Integration Reference speakers for years to come.

If you have any questions, please contact your Morel dealer or Morel support at:

www.morelhifi.com

Components

Component System



x2
Midwoofer



x2
Tweeter



x2
Midwoofer
Connecting Cable



x2
Cable Splitter



x2
MBZ002
(optional)



x2
MBZ003
(optional)



x2
MBZ004
(optional)

Integra System



x2
Coax



x2
Integra
Connecting Cable



x2
MBZ002
(optional)

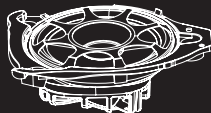


x2
MBZ003
(optional)



x2
MBZ004
(optional)

MBZSUB82-1L



x2



x1
MBZ-DSH-1



x1
MBZ-DSH-2



x1
MBZ-DSH-3

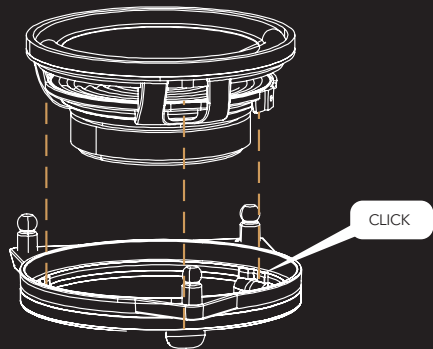
MBZSUB82-2L



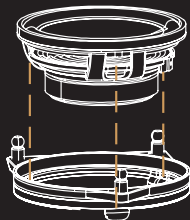
x2

Component Woofer and Coax Adapter Assembly

Assembly Overview

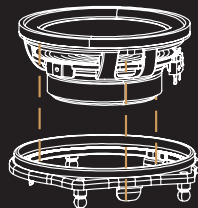


Configuration A



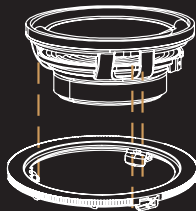
MBZ002

Configuration B



MBZ003

Configuration C



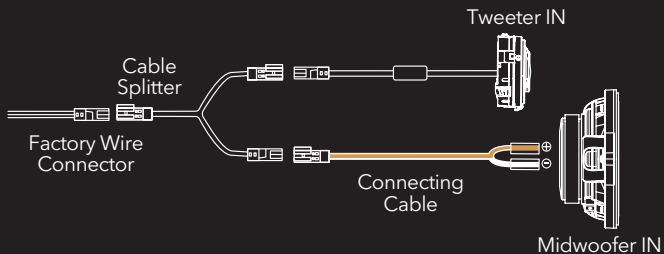
MBZ004



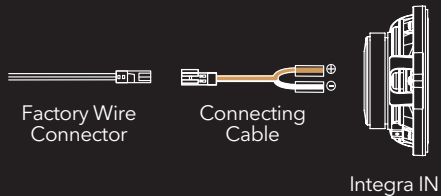
Scan for vehicle-specific
compatibility information

Speaker Connection

IR-MBZ42 / IR-MBZ42-CTR Component System

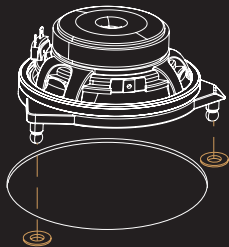


IR-MBZ4INT / IR-MBZ4INT-CTR Integra System

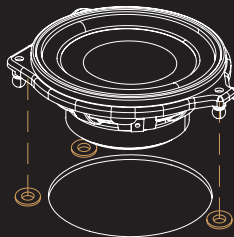


Speaker Installation

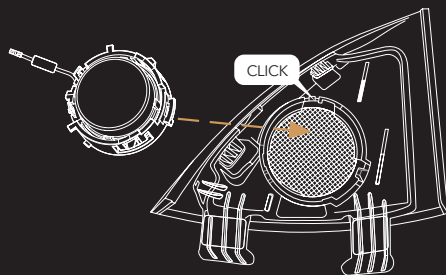
4" Configuration A



4" Configuration B

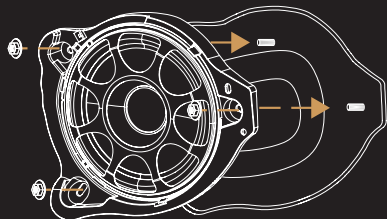


Tweeter

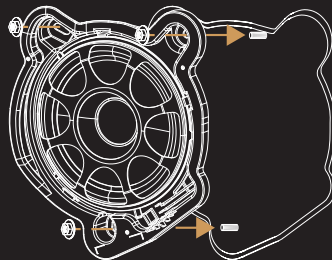


Subwoofer Installation

MBZSUB82-1L

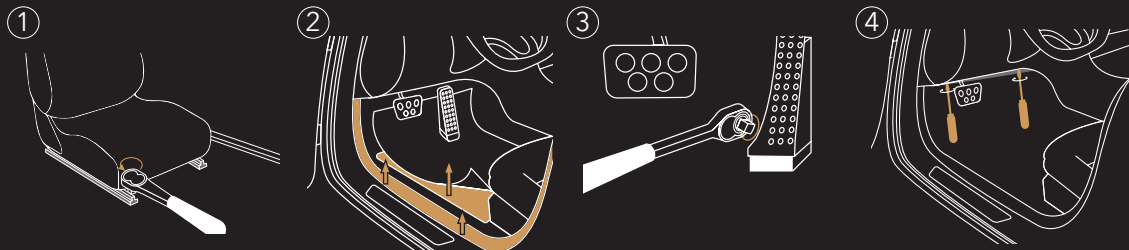


MBZSUB82-2L

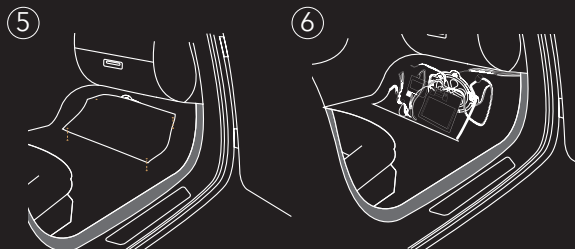


Subwoofer Installation

Driver side

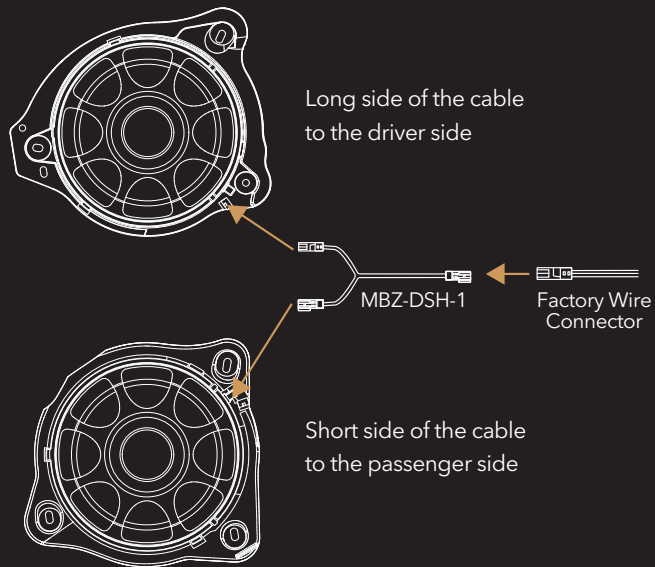


Passenger side

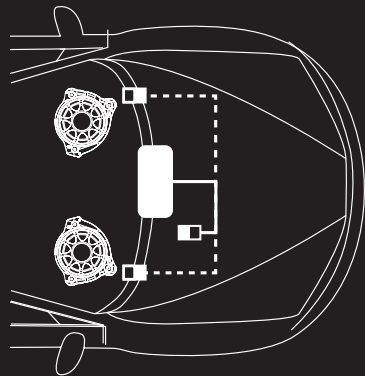


Subwoofer Installation-MBZ-SUB82-IL

Single OEM Subwoofer to Dual Morel Subwoofer Wiring



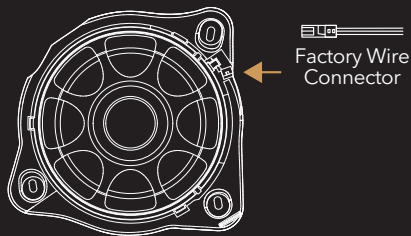
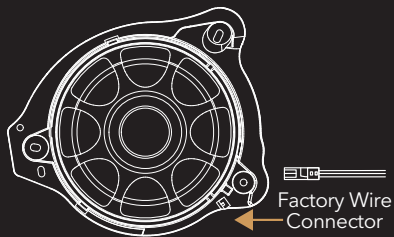
MBZ-DSH-1 connection to



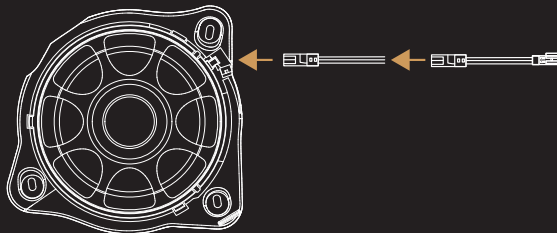
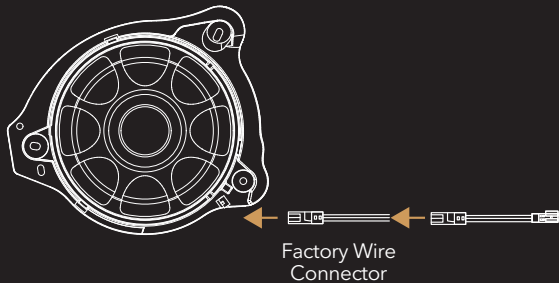
Subwoofer Installation-MBZ-SUB82-IL

Dual OEM Subwoofer to Dual Morel Subwoofer Wiring

For vehicles with two factory subwoofers, the OEM harness plugs directly into our subwoofers



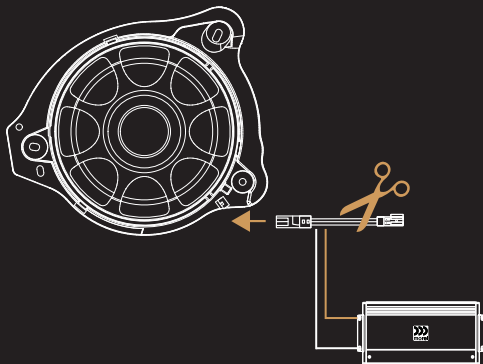
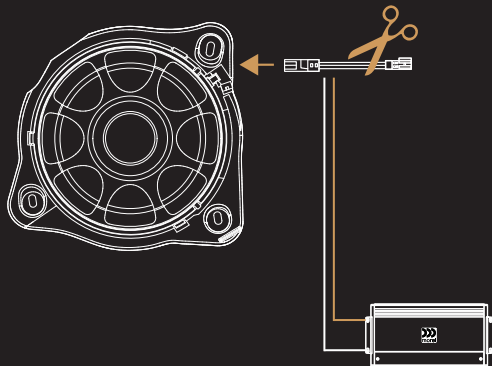
Use MBZ-DSH-2 and MBZ-DSH-3 to extend the OEM harness to fit to connector



Subwoofer Installation- MBZ-SUB82-1L

In case of using aftermarket amplifier

Use MBZ-DSH-2 or MBZ-DSH-3 harness



Specifications

SYSTEM	IR-MBZ42 / IR-MBZ42-CTR	IR-MBZ4INT / IR-MBZ4INT-CTR	MBZSUB82-1L / MBZSUB82-2L
Nominal Impedance (ohm)	4	4	2
Power Handling Wrms	100	80	150
Max. Trans. Pwr Handling Wrms	300	250	500
Sensitivity (2.83 V/1M) dB	92	90	85
Frequency response Hz	50-25000	80-20000	20-600
Magnet System	Neodymium	Neodymium	Neodymium
Cone Material	W:DPC / T:Acuflex Soft dome	W:Composite cellular fiber / T:Acuflex Soft dome	Carbon

CROSSOVERS	TWEETER
Crossover Point	2700Hz/12dB (highpass)

* Morel operates a policy of continuous products design improvement, consequently specifications are subject to alteration without prior notice



Morel, Ness Ziona, 70400 Israel.
Tel: +972-8-9301161
Fax: +972-8-9301312
E-mail: info@morelhifi.com

Morel America, Chandler, AZ, USA
Toll free number: 1-877-667-3511
Fax: 1-718-721-1560
E-mail: info@morelamerica.com

www.morelhifi.com



Scan for vehicle-specific
compatibility information