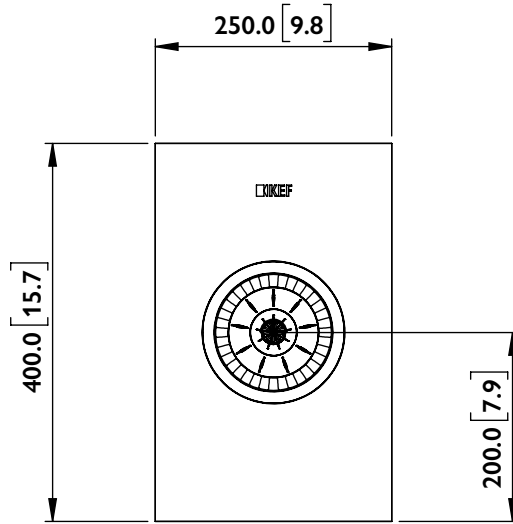
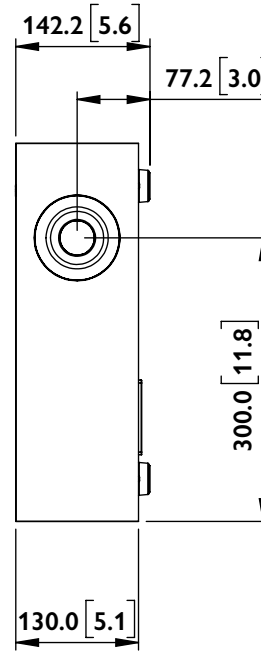


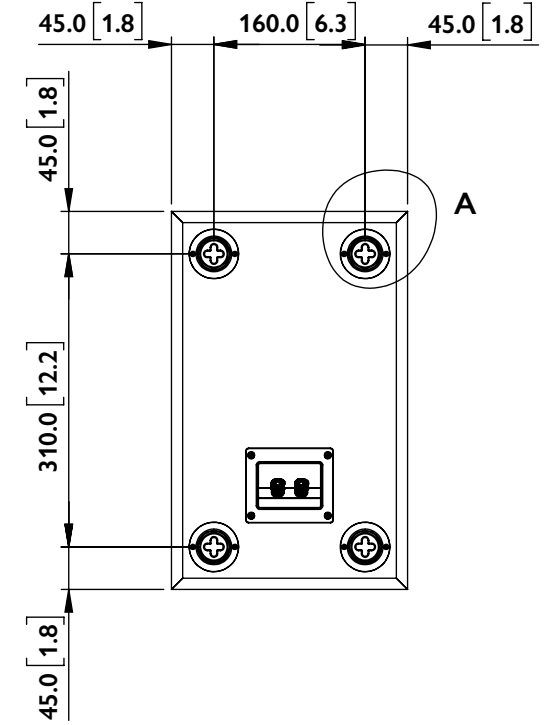
FRONT



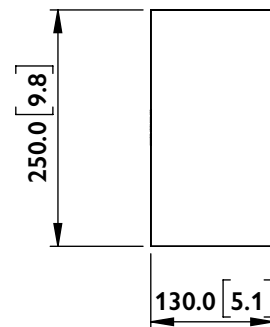
SIDE



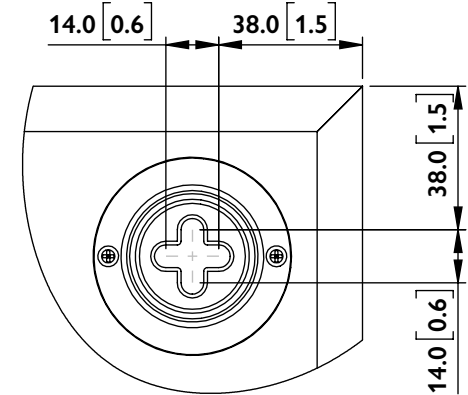
BACK



BOTTOM



DETAIL A



Q SERIES
Q4 Meta

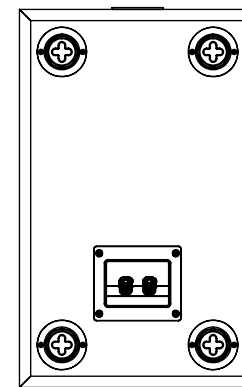
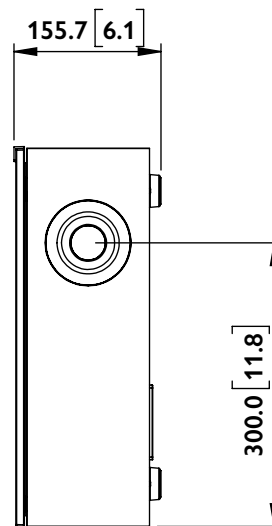
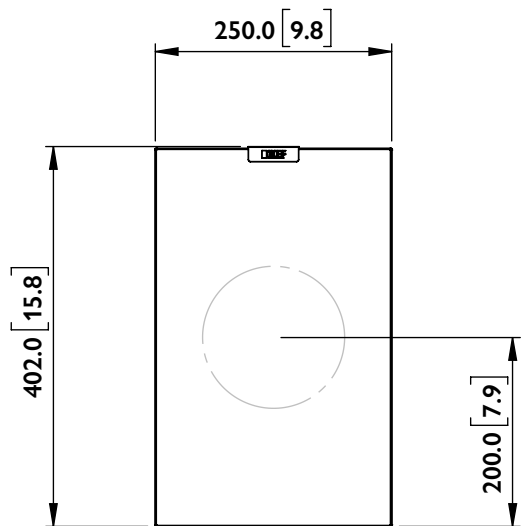
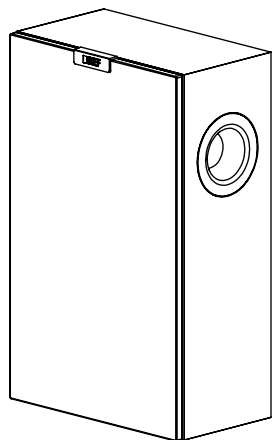
UNIT: MM [INCH]



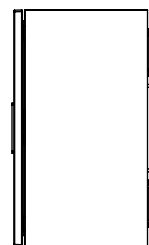
FRONT

SIDE

BACK



BOTTOM



Q SERIES
Q4 Meta

UNIT: MM [INCH]