

## S 3N50

### EXTENDED FREQUENCY SPEAKER

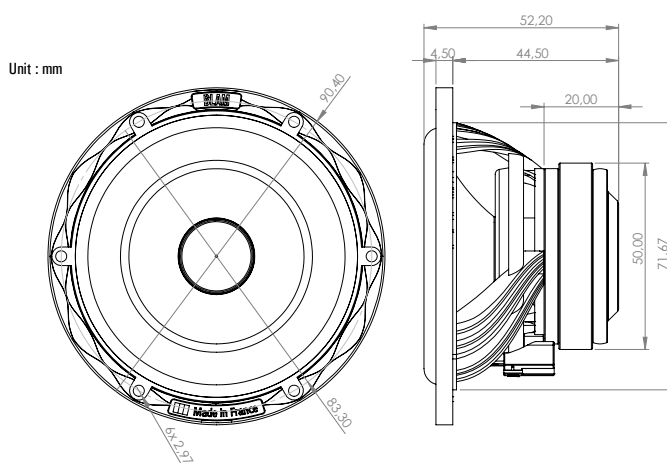
- Full-range driver 3" (80mm)
- Max. power: 100 W / Nom. power: 25 W
- Frequency response 200 Hz - 30 KHz
- Impedance 3 Ohms

Die cast aluminum Basket - Ultra rigid carbon fiber cone - IIR surround - Long life "conex" damper - 20mm Voice Coil, fiber glass former - Oversized neodymium ring Magnetic motor - Aluminum phase plug - Products matched to + -1 dB

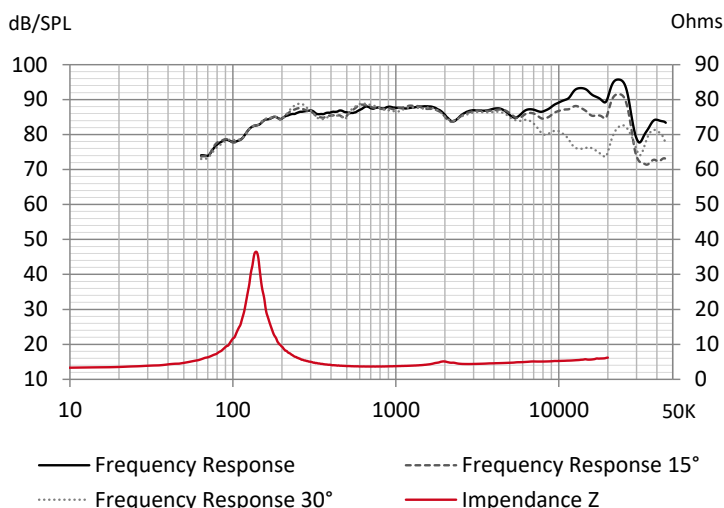
T-Yoke equipped with a faraday copper ring which limits the creation of Foucault currents

### TECHNICAL SPECIFICATIONS

COMPONENT	Full-range	
MAX POWER	100 W	
NOMINAL POWER	25 W	
IMPEDANCE	3 Ω	
FREQ. RESPONSE	200 Hz - 30 KHz	
SENSITIVITY (2,83V/1M)	91.8 dB	
MAGNET	Neodymium	
MAGNET SIZE Ø X H	50 x 9 mm	1.969" x 0.354 "
TOTAL DRIVER DISPLACEMENT	0.053 l	0.002 cf
WEIGHT OF ONE COMPONENT	0.298 kg	0.657 lb
VOICE COIL Ø	20 mm	0.787"
VOICE COIL HEIGHT	6 mm	0.236"
CONE	Carbon fiber	



### FREQUENCY RESPONSE / IMPEDANCE



### THIELE-SMALL PARAMETERS

EFFECTIVE Ø (D)	61 mm
SD	29,22 cm <sup>2</sup>
XMAX	1 mm
RE	3.3 Ω
FS	137.62 Hz
LE	19.90 μH @ 1 kHz
L2	256.66 μH @ 10 kHz
VAS	0.82 L
MMS	1.96 g
CMS	0.000681 m/N
BL	3.32 Tm
QTS	0.47
QES	0.52
QMS	5.04
SENSITIVITY (DB/W/M)	88.1 dB