

# Signature

**BLAM**  
FRENCH SOUND

Driven by passion.

## S 6.45

SLIM MIDBASS SPEAKER

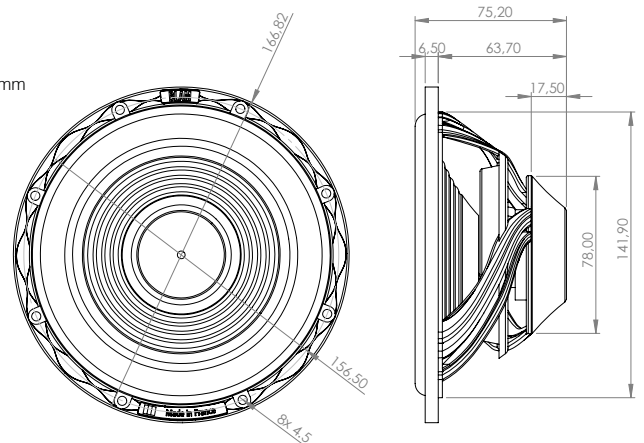
- Shallow 165 mm (6.5") woofer
- Max power 150 W / Nom. Power 75 W
- Frequency response 60 Hz - 8 kHz
- Impedance 3 Ohms



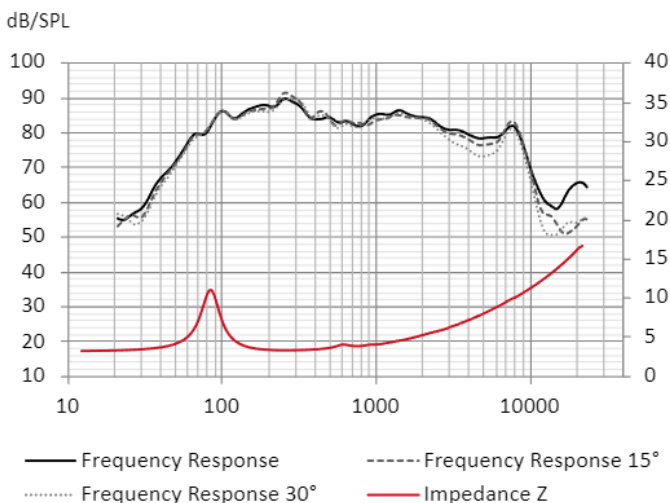
### TECHNICAL SPECIFICATIONS

Component	Woofer	
Max power	150 W	
Nominal power	75 W	
Impedance	3 Ω	
Freq. Response	60 Hz - 8 KHz	
Sensitivity (2.83 V/1m)	90 dB	
Magnet	Neodymium	
Magnet size Ø x h	85 x 17 mm	3.346" x 0.669"
Total driver displacement	0.11 l	0.004 cf
Weight of one component	1.037 kg	2.286 lb
Voice coil Ø	38 mm	1.496"
Voice coil height	15 mm	0.591"
Dome	Carbon fiber	

Unit : mm



### FREQUENCY RESPONSE / IMPEDANCE



### THIELE-SMALL PARAMETERS

Effective Ø (d)	113.4 mm
Sd	128.68 cm <sup>2</sup>
Xmax	5.0 mm
Re	3.1 Ω
Fs	84.96 Hz
Le	220 µH @ 1 kHz
L2	130 µH @ 10 kHz
Vas	6.1869 L
Mms	13.1143 g
Cms	0.2676 m/N
BL	3.73 Tm
Qts	1.13
Qes	1.56
Qms	4.11
Sensitivity (dB/W/m)	85.89 dB

contact@blam-audio.fr  
www.facebook.com/blamaudio

blam-audio.com