

# Signature

**BLAM**  
FRENCH SOUND

Driven by passion.

## S 690

HIGH SENSITIVITY SPEAKER

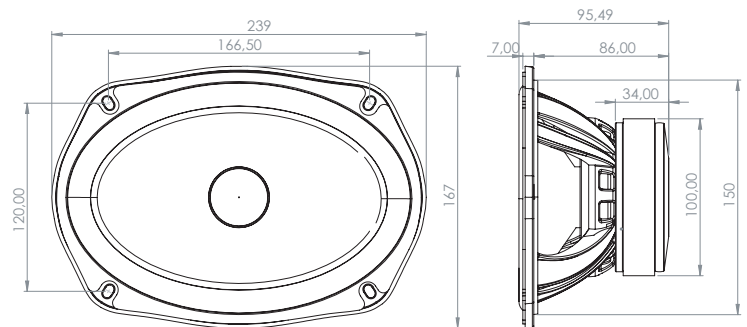
- 150 x 230 mm (6 x 9") high sensibility woofer
- Max power 150 W / Nom. Power 75 W
- Frequency response 60 Hz - 8 kHz
- Impedance 3 Ohms



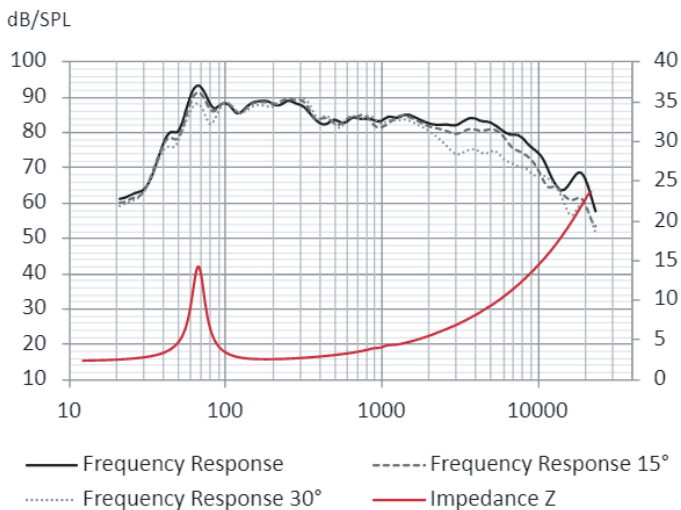
### TECHNICAL SPECIFICATIONS

<b>Component</b>	Woofer	
<b>Max power</b>	150 W	
<b>Nominal power</b>	75 W	
<b>Impedance</b>	3 Ω	
<b>Freq. Response</b>	60 Hz - 8 KHz	
<b>Sensitivity (2.83 V/1m)</b>	94.2 dB	
<b>Magnet</b>	Ferrite	
<b>Magnet size Ø x h</b>	100 x 20 mm	3.937" x 0.787"
<b>Total driver displacement</b>	0.11 l	0.004 cf
<b>Weight of one component</b>	1.037 kg	2.286 lb
<b>Voice coil Ø</b>	38 mm	1.496"
<b>Voice coil height</b>	15 mm	0.591"
<b>Dome</b>	Carbon fiber	

Unit : mm



### FREQUENCY RESPONSE / IMPEDANCE



### THIELE-SMALL PARAMETERS

<b>Effective Ø (d)</b>	145.9 mm
<b>Sd</b>	212.78 cm <sup>2</sup>
<b>Xmax</b>	5.0 mm
<b>Re</b>	2.1 Ω
<b>Fs</b>	67.38 Hz
<b>Le</b>	350 µH @ 1 kHz
<b>L2</b>	190 µH @ 10 kHz
<b>Vas</b>	14.65 L
<b>Mms</b>	24.08 g
<b>Cms</b>	0.2316 m/N
<b>BL</b>	4.54 Tm
<b>Qts</b>	0.89
<b>Qes</b>	1.04
<b>Qms</b>	6.52
<b>Sensitivity (dB/W/m)</b>	88.38 dB

contact@blam-audio.fr  
www.facebook.com/blamaudio

blam-audio.com