

Signature



Driven by passion.

T20 HR

HIGH RESOLUTION TWEETER

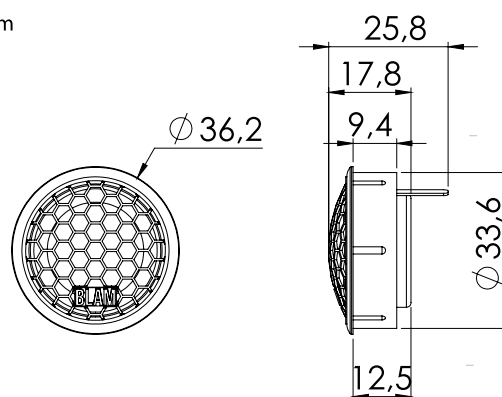
- 5 ohm, Neo magnet
- 20 mm (3/4") textile dome diaphragm
- Compact mounting dimensions
- High efficiency magnet (N38H neodymium)
- Ferrofluid for high power handling



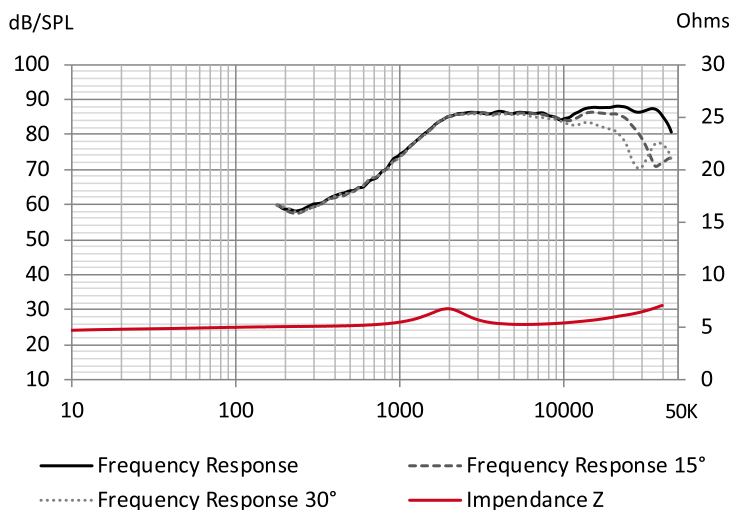
TECHNICAL SPECIFICATIONS

Component	Tweeter	
Max power	100 W	
Nominal power	10 W	
Impedance	5 Ω	
Freq. Response	2,5 KHz - 40 KHz	
Sensitivity (2,83V/1m)	88,3 dB	
Magnet	Neodymium	
Magnet size \varnothing x h	18 x 4 mm	0,709" x 0,157"
Total driver displacement	-	
Weight of one component	0,03 kg	0,066 lb
Voice coil \varnothing	20 mm	
Voice coil height	1,3 mm	0,051"
Cone	Soft	

Unit : mm



FREQUENCY RESPONSE / IMPEDANCE



THIELE-SMALL PARAMETERS

effective \varnothing (d)	32 mm
Sd	8,04 cm ²
Xmax	-
Re	5 Ω
Fs	1972,85Hz
Le	-
L2	-
Vas	-
Mms	-
Cms	-
BL	-
Qts	-
Qes	-
Qms	-
Sensitivity (dB/W/m)	86,3 dB

contact@blam-audio.fr
www.facebook.com/blamaudio

www.blam-audio.com