

# Signature

# Multix Barrel



Driven by passion.

## T28 S

28 MM (1") SOFT DOME TWEETER

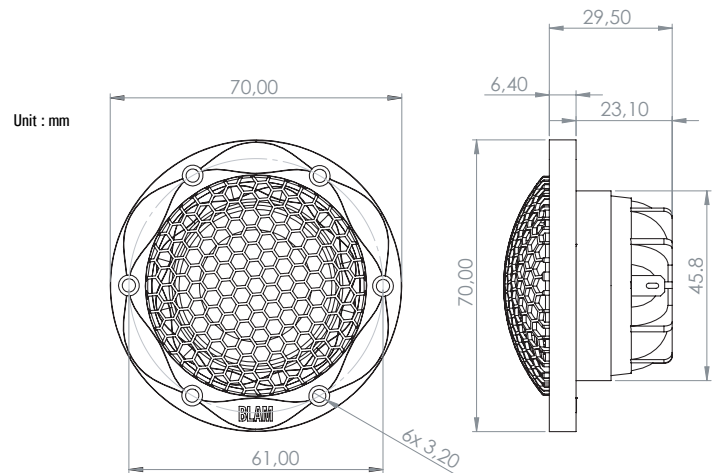
A T28S soft dome version for smooth response and homogeneous sound dispersion without aggressiveness. Its natural sound adapts to a wide range of musical styles.

- 28 mm (1") silk dome tweeter
- High efficiency neodymium magnet with rear chamber
- High precision machined aluminium front plate easy to install
- Sound transparent protective grill

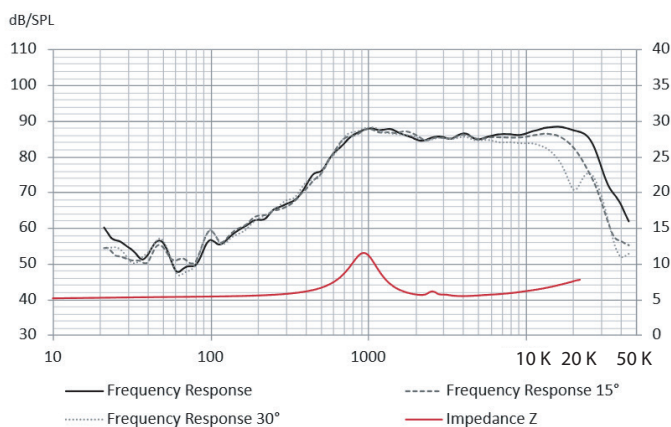


### TECHNICAL SPECIFICATIONS

<b>Component</b>	Tweeter	
<b>Max power</b>	80 W	
<b>Nominal power</b>	40 W	
<b>Impedance</b>	6 $\Omega$	
<b>Freq. Response</b>	1.5 kHz - 30 KHz	
<b>Sensitivity (2,83V/1m)</b>	88.3 dB	
<b>Magnet</b>	Neodymium	
<b>Magnet size <math>\varnothing</math></b>	27 x 3 mm	1.063" x 0.118"
<b>Weight of one component</b>	0.12 kg	0.265 lb
<b>Voice coil <math>\varnothing</math></b>	28 mm	1.102"
<b>Voice coil height</b>	2 mm	0.079 "
<b>Dome</b>	Soft dome	



### FREQUENCY RESPONSE / IMPEDANCE



### THIELE-SMALL PARAMETERS

<b>Effective <math>\varnothing</math> (d)</b>	0 mm
<b>Sd</b>	9 cm <sup>2</sup>
<b>Xmax</b>	0
<b>Re</b>	5 $\Omega$
<b>Fs</b>	943.36 Hz
<b>Le</b>	-
<b>L2</b>	-
<b>Vas</b>	-
<b>Mms</b>	-
<b>Cms</b>	-
<b>BL</b>	-
<b>Qts</b>	-
<b>Qes</b>	-
<b>Qms</b>	-
<b>Sensitivity (dB/W/m)</b>	86.3 dB

contact@blam-audio.fr  
www.facebook.com/blamaudio

blam-audio.com