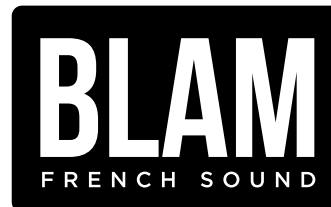


# Signature

# Multix Barrel



Driven by passion.

## MB 6P

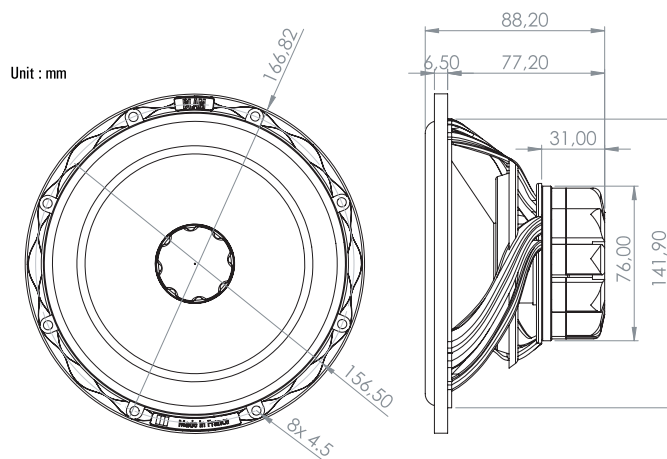
### MIDBASS SPEAKER

- 165 mm (6.5") midbass
- Max. power 250 W / Nom. Power 125 W
- Frequency response 60 Hz - 5 kHz
- Impedance 2 Ω

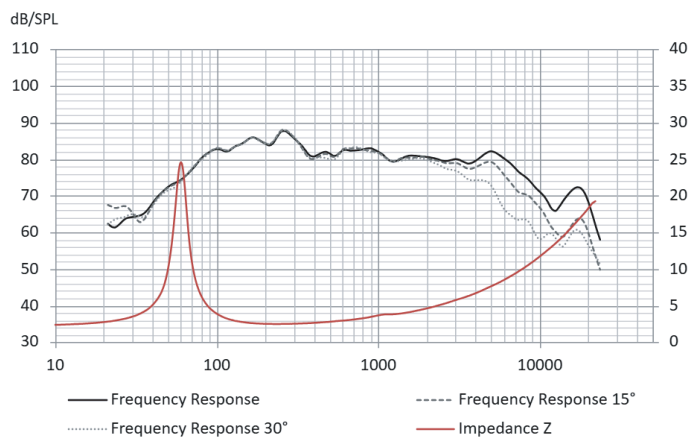


### TECHNICAL SPECIFICATIONS

<b>Component</b>	Midbass	
<b>Max power</b>	250 W	
<b>Nominal power</b>	125 W	
<b>Impedance</b>	2 Ω	
<b>Freq. Response</b>	60 Hz - 5 KHz	
<b>Sensitivity (2,83V/1m)</b>	93.62 dB	
<b>Magnet</b>	Neodymium	
<b>Magnet size Ø x h</b>	76 x 31 mm	2.992 x 1.220"
<b>Total driver displacement</b>	0.11 l	0.004 cf
<b>Weight of one component</b>	1.037 kg	2.286 lb
<b>Voice coil Ø</b>	40 mm	1.593"
<b>Voice coil height</b>	17 mm	0.669"
<b>Dome</b>	Carbon fiber	



### FREQUENCY RESPONSE / IMPEDANCE



### THIELE-SMALL PARAMETERS

<b>Effective Ø (d)</b>	128 mm
<b>Sd</b>	128.67 cm <sup>2</sup>
<b>Xmax</b>	6.0 mm
<b>Re</b>	2.2 Ω
<b>Fs</b>	60.79 Hz
<b>Le</b>	280 µH @ 1 kHz
<b>L2</b>	150 µH @ 10 kHz
<b>Vas</b>	10.79 L
<b>Mms</b>	14.4679 g
<b>Cms</b>	0.4669 m/N
<b>BL</b>	4.29 Tm
<b>Qts</b>	0.61
<b>Qes</b>	0.67
<b>Qms</b>	7.26
<b>Sensitivity (dB/W/m)</b>	87.62 dB

contact@blam-audio.fr  
www.facebook.com/blamaudio

blam-audio.com