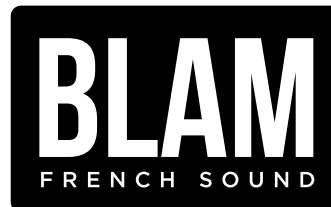


Signature

Multix Barrel



Driven by passion.

MB 6D

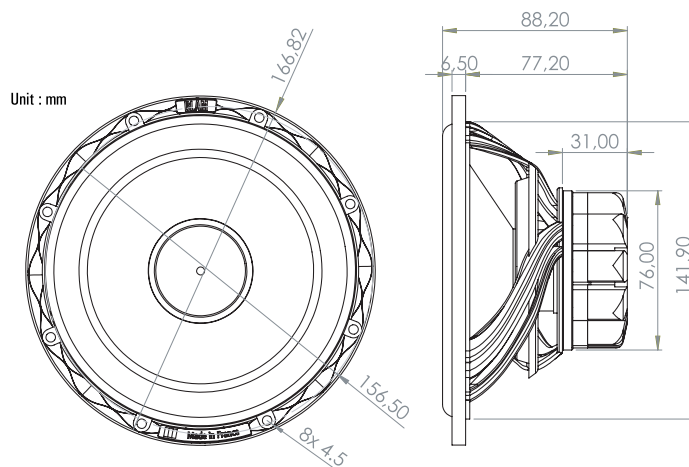
HIGH FIDELITY WOOFER

- 165 mm (6.5") high sensitivity woofer
- Max. power 250 W / Nom. Power 125 W
- Frequency response 55 Hz - 5 kHz
- Impedance 2 Ω

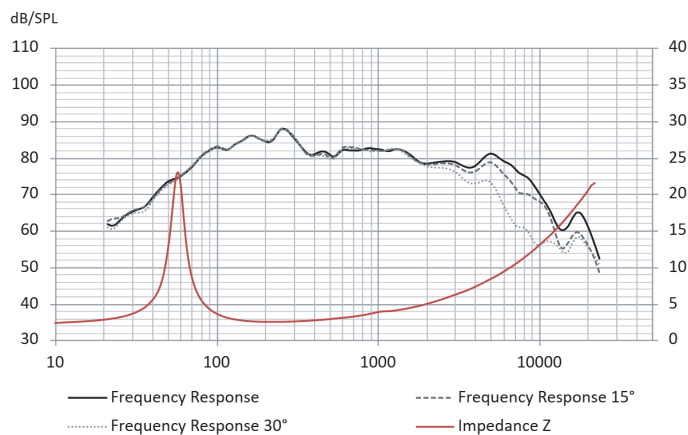


TECHNICAL SPECIFICATIONS

Component	Woofer	
Max power	250 W	
Nominal power	125 W	
Impedance	2 Ω	
Freq. Response	55 Hz - 5 KHz	
Sensitivity (2,83V/1m)	92.7 dB	
Magnet	Neodymium	
Magnet size \varnothing x h	76 x 31 mm	2.992 x 1.220"
Total driver displacement	0.3 l	0.011 cf
Weight of one component	0.968 kg	2.134 lb
Voice coil \varnothing	40 mm	1.593"
Voice coil height	17 mm	0.669"
Dome	Carbon fiber	



FREQUENCY RESPONSE / IMPEDANCE



THIELE-SMALL PARAMETERS

Effective \varnothing (d)	128 mm
Sd	128 cm ²
Xmax	6.0 mm
Re	2.2 Ω
Fs	57.86 Hz
Le	310 μ H @ 1 kHz
L2	170 μ H @ 10 kHz
Vas	11.32 L
Mms	15.28 g
Cms	0.4948 m/N
BL	4.24 Tm
Qts	0.62
Qes	0.68
Qms	7.1
Sensitivity (dB/W/m)	87.09 dB

contact@blam-audio.fr
www.facebook.com/blamaudio

blam-audio.com